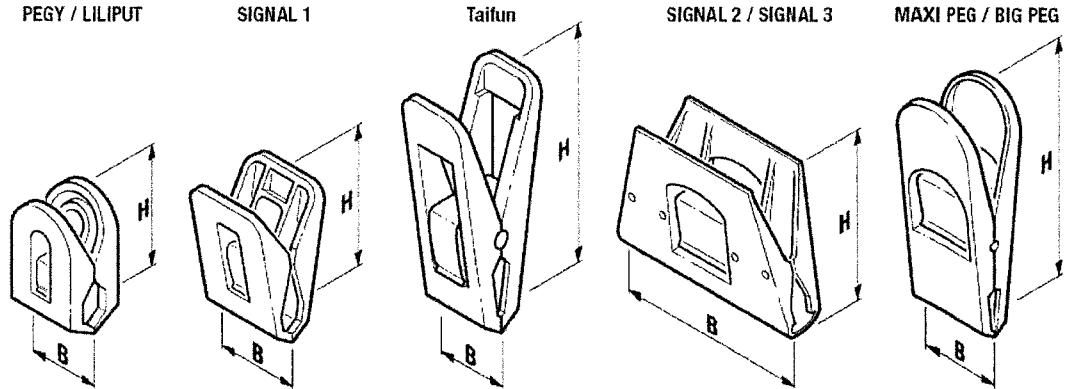


MULTI CLIPS

Product data



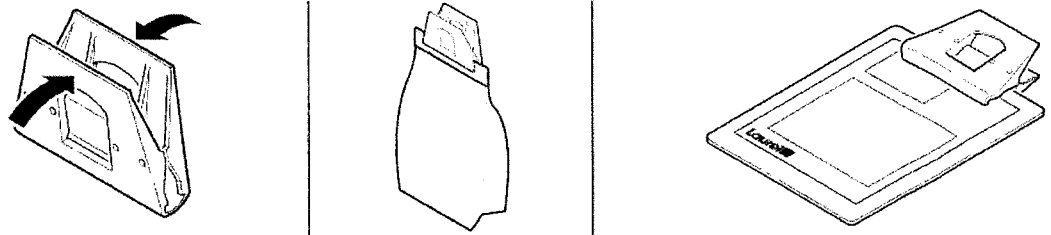
Item no.	Item	B (W)	H	Weight	Closing width
1000	Pegy	10 mm	25 mm	1,3 g	7 mm
1100	Liliput	15 mm	25 mm	1,8 g	7 mm
1900	Taifun	15 mm	50 mm	5,4 g	13 mm
1110	Signal 1	25 mm	43 mm	7,2 g	19 mm
1120	Signal 2	70 mm	50 mm	14,0 g	13 mm
1130	Signal 3	90 mm	70 mm	32,8 g	23 mm
1160	Maxi Peg	26 mm	80 mm	13,6 g	18 mm
1170	Big Peg	33 mm	120 mm	28,5 g	33 mm

Material



Impact-resistant polystyrene (PS), max. use temperature 70 °C.
Resistant to water, alcohol, oils, weak acids and bases.

Use



■ Laurel multi clips

are in good shape. A combination of light, break-resistant plastic and high-grade spring steel guarantees a long service life.

■ Laurel multi clips

- have a variety of uses in the home and office.
- are functional and tough.
- hold leaflets, documents, shopping lists, maps, etc.
- are ideal for closing packages.

Available colours

Primary colours						Bright colours						Crystal colours						
black	white	red	blue	green	yellow	light red	light green	purple	light yellow	pink	orange	light blue	crystal clear	crystal red	crystal blue	crystal pink	crystal green	crystal yellow
<input type="checkbox"/> 11	<input type="checkbox"/> 10	<input type="checkbox"/> 20	<input type="checkbox"/> 30	<input type="checkbox"/> 60	<input type="checkbox"/> 70	<input type="checkbox"/> 15	<input type="checkbox"/> 17	<input type="checkbox"/> 18	<input type="checkbox"/> 19	<input type="checkbox"/> 40	<input type="checkbox"/> 50	<input type="checkbox"/> 80	<input type="checkbox"/> 00	<input type="checkbox"/> 02	<input type="checkbox"/> 03	<input type="checkbox"/> 04	<input type="checkbox"/> 06	<input type="checkbox"/> 07
<input type="checkbox"/> 95 Primary colours, assorted						<input type="checkbox"/> 97 Bright colours, assorted						<input type="checkbox"/> 96 Crystal colours, assorted						
<input type="checkbox"/> 94 Primary and bright colours, assorted																		

■ Colour code

Order specification
Please tick the desired colour!